

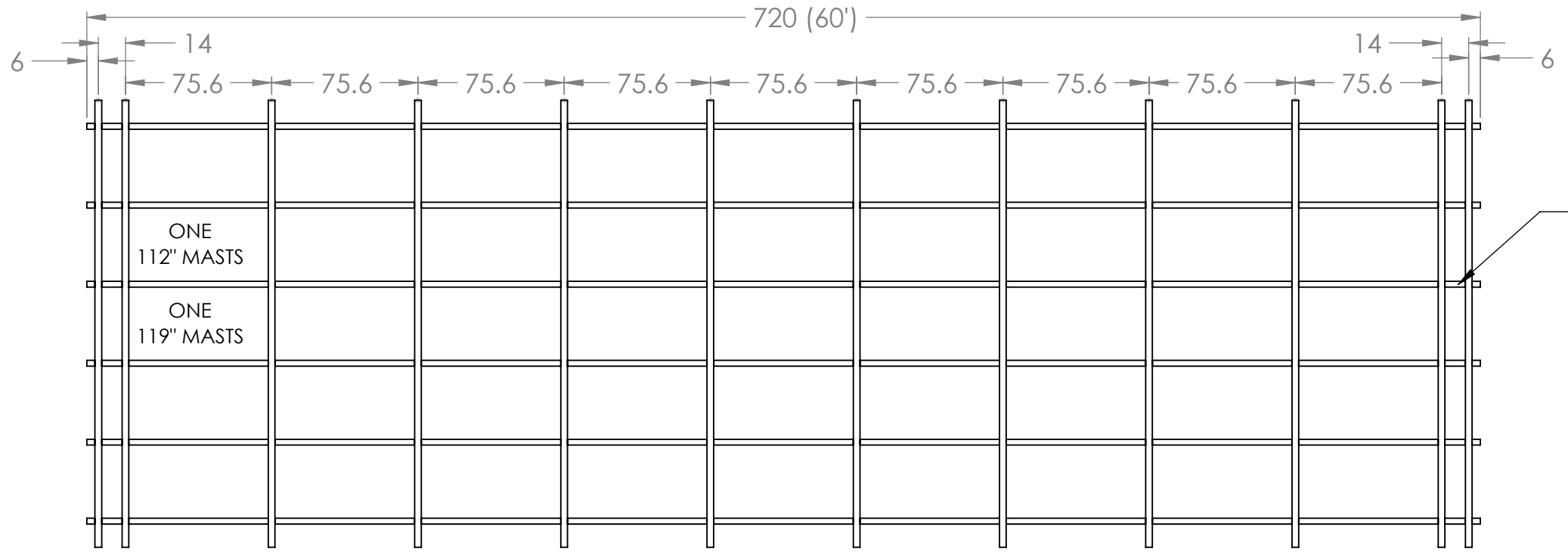
4

3

2

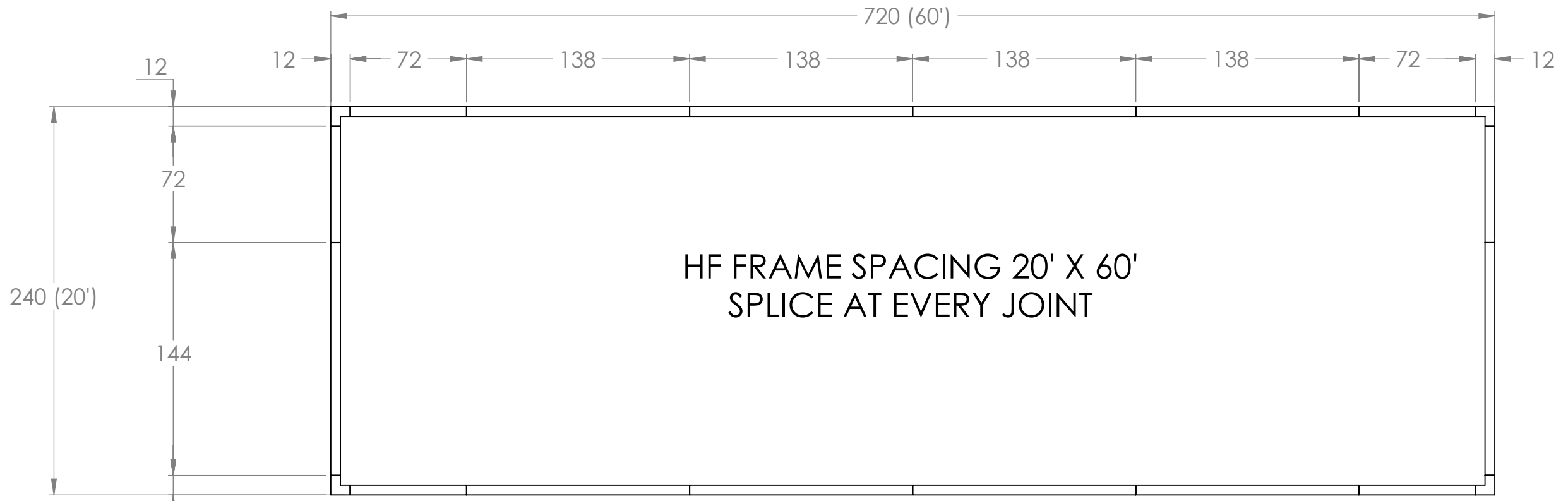
1

HF MAST SPACING 20' X 60'



MAST SPACING 20' X 60' HF FRAME

HF FRAME SPACING 20' X 60' SPLICE AT EVERY JOINT



UNLESS OTHERWISE SPECIFIED
 DIMENSIONS ARE IN INCHES
 TOLERANCES
 FRACTIONAL ± 1/16"
 ANGULAR BEND ± 2°



2963 Pleasant Hill Road
 Duluth, GA 30096

PROPRIETARY AND CONFIDENTIAL THE INFORMATION CONTAINED IN THIS DRAWING IS THE SOLE PROPERTY OF FORMETCO. ANY REPRODUCTION IN PART OR AS A WHOLE WITHOUT THE WRITTEN PERMISSION OF FORMETCO IS PROHIBITED.	MATERIAL	VARIED	CREATED	BDJ	DATE	SIZE	DRAWING NUMBER	REVISION
	MATERIAL FINISH	VARIED	10/13/2016 7:46:48 AM			B	HURRICANE-FRAME-20X60	A
	DO NOT SCALE DRAWING		UPDATED	Thursday, February 28, 2019 2:54:38 PM			WEIGHT:	SHEET 1 OF 1

4

3

2

1

B

B

A

A