

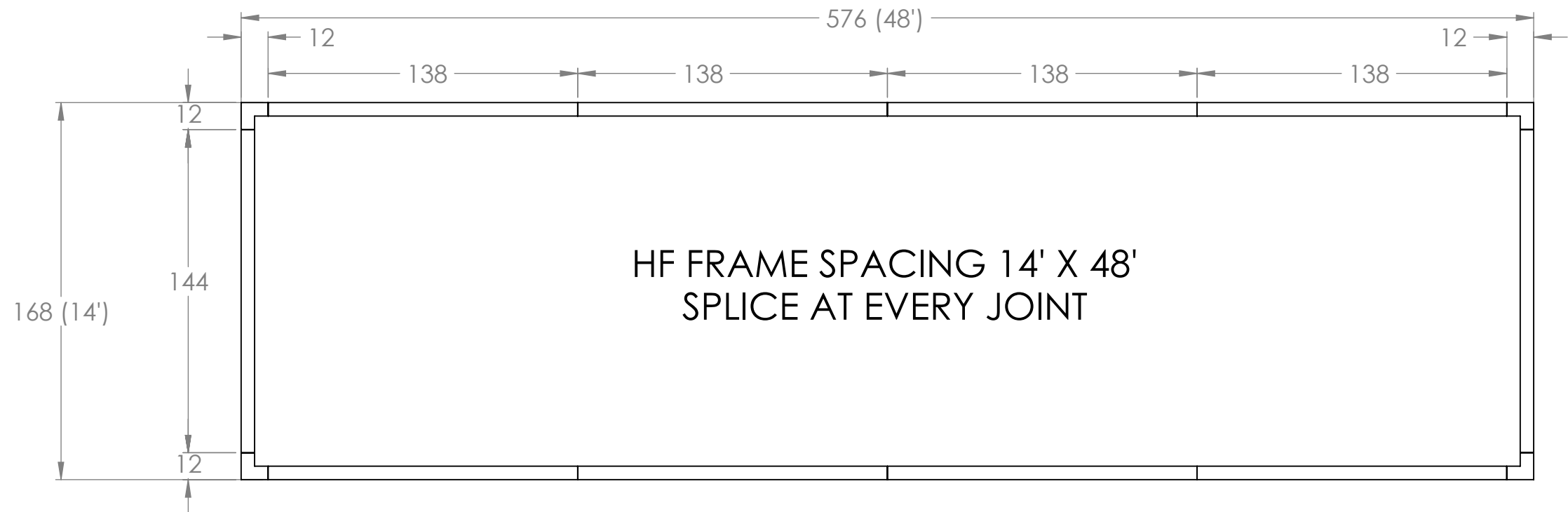
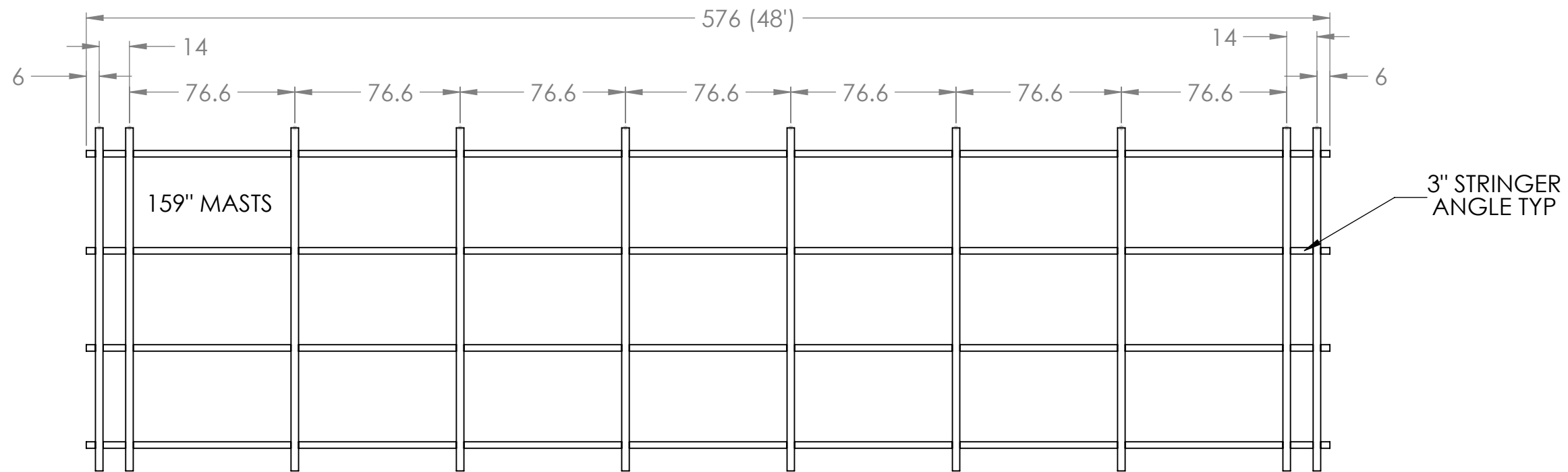
4

3

2

1

HF MAST SPACING 14' X 48'



MAST SPACING 14' X 48' HF FRAME

UNLESS OTHERWISE SPECIFIED		FORMETCO POWERED BY AdTech		2963 Pleasant Hill Road Duluth, GA 30096	
DIMENSIONS ARE IN INCHES TOLERANCES FRACTIONAL ± 1/16" ANGULAR BEND ± 2°		MATERIAL	VARIED	CREATED	BDJ
PROPRIETARY AND CONFIDENTIAL		MATERIAL FINISH	VARIED	DATE	10/13/2016 7:46:48 AM
THE INFORMATION CONTAINED IN THIS DRAWING IS THE SOLE PROPERTY OF FORMETCO. ANY REPRODUCTION IN PART OR AS A WHOLE WITHOUT THE WRITTEN PERMISSION OF FORMETCO IS PROHIBITED.		DO NOT SCALE DRAWING	UPDATED	Thursday, February 28, 2019 2:54:01 PM	WEIGHT:
		SIZE	B	DRAWING NUMBER	HURRICANE-FRAME-14X48
		REVISION	A	SHEET 1 OF 1	

4

3

2

1

B

B

A

A